

**PLEASE CHECK WWW.MOLEX.COM FOR LATEST PART INFORMATION**

**Part Number:** [0677790000](#)

**Status:** **Active**

**Description:** AV RCA Jack Connector, Dual Row, Side by Side, 6 Ports, Color and SV Position from Front View (Left column: Red, Red, Yellow; Right Column: White, White, Orange)

**Documents:**

[3D Model](#)

[Product Specification PS-67779-001 \(PDF\)](#)

[Drawing \(PDF\)](#)

[RoHS Certificate of Compliance \(PDF\)](#)

**General**

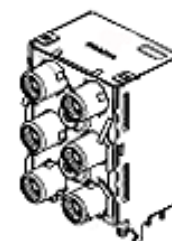
Product Family	I/O Connectors
Series	<a href="#">67779</a>
Application	Wire-to-Board
Component Type	Receptacle
Product Name	Audio/Phono Jack
Type	N/A

**Physical**

Boot Color	N/A
Circuits (Loaded)	12
Circuits (maximum)	12
Durability (mating cycles max)	150
Gender	Male
Keying to Mating Part	Yes
Lock to Mating Part	None
Material - Plating Mating	Tin
Material - Plating Termination	Tin
Number of Rows	3
Orientation	Right Angle
PC Tail Length (in)	0.138 In
PC Tail Length (mm)	3.50 mm
PCB Locator	Yes
PCB Retention	Yes
PCB Thickness Recommended (in)	0.063 In
PCB Thickness Recommended (mm)	1.60 mm
Packaging Type	Tray
Panel Mount	Yes
Pitch - Mating Interface (in)	0.591 In
Pitch - Mating Interface (mm)	15.00 mm
Plating min: Mating (µin)	100
Plating min: Mating (µm)	2.54
Plating min: Termination (µin)	100
Plating min: Termination (µm)	2.54
Polarized to Mating Part	No
Polarized to PCB	Yes
Ports	6
Surface Mount Compatible (SMC)	No
Temperature Range - Operating	-40°C to +60°C
Termination Interface: Style	Through Hole
Waterproof / Dustproof	No
Wire Size AWG	N/A

**Electrical**

Current - Maximum per Contact	2A
Grounding to Panel	Press-Fit
Shield Type	Full Shield



*image - Reference only*

*Series*

**EU RoHS**

**ELV and RoHS  
Compliant**

**REACH SVHC**

Not Reviewed

**Halogen-Free**

**Status**

**Not Reviewed**

**China RoHS**



**Need more information on product  
environmental compliance?**

Email [productcompliance@molex.com](mailto:productcompliance@molex.com)  
For a multiple part number RoHS Certificate of  
Compliance, [click here](#)

Please visit the [Contact Us](#) section for any  
non-product compliance questions.

**Search Parts in this Series**

[67779Series](#)

**Mates With**

AV Plug

Shielded	Yes
Voltage - Maximum	500V AC

**Solder Process Data**

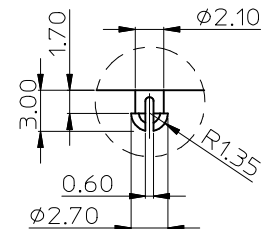
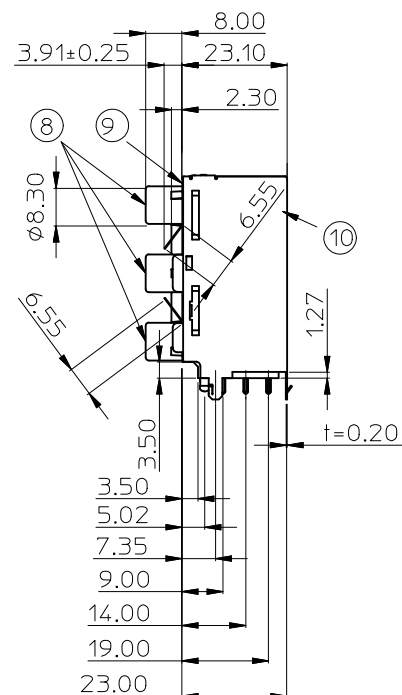
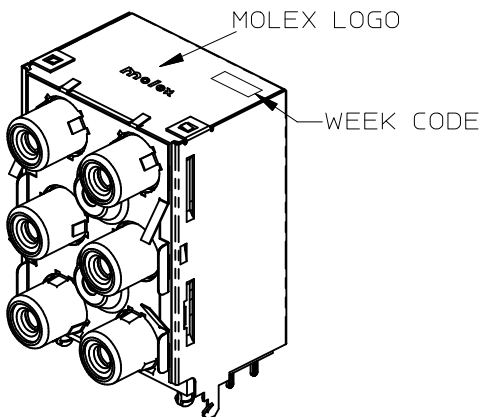
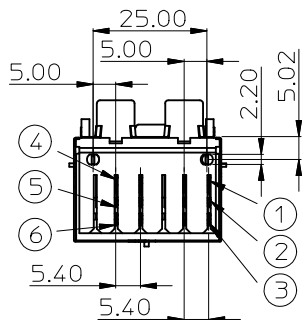
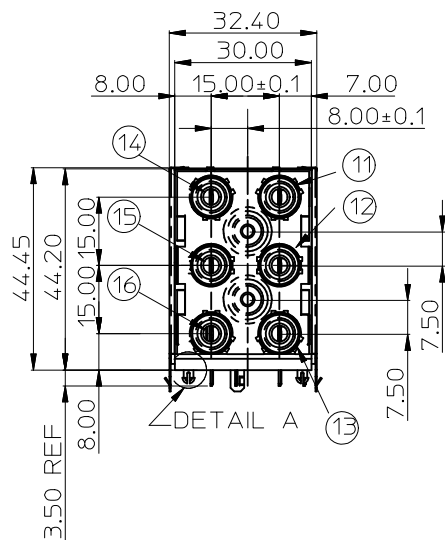
Duration at Max. Process Temperature (seconds)	3
Lead-free Process Capability	Wave Capable (TH only)
Max. Cycles at Max. Process Temperature	1
Process Temperature max. C	230

**Material Info****Reference - Drawing Numbers**

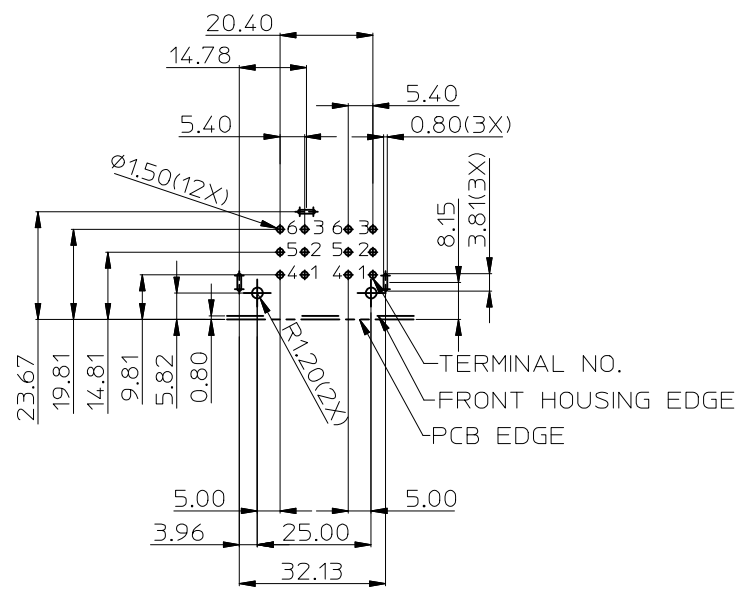
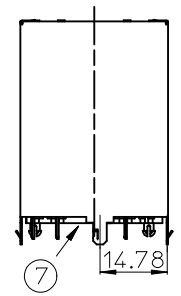
Product Specification	PS-67779-001
Sales Drawing	SD-67779-101

This document was generated on 04/02/2010

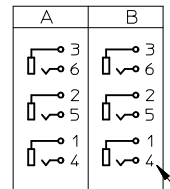
**PLEASE CHECK [WWW.MOLEX.COM](http://WWW.MOLEX.COM) FOR LATEST PART INFORMATION**



DETAIL A  
(SCALE 3:1)



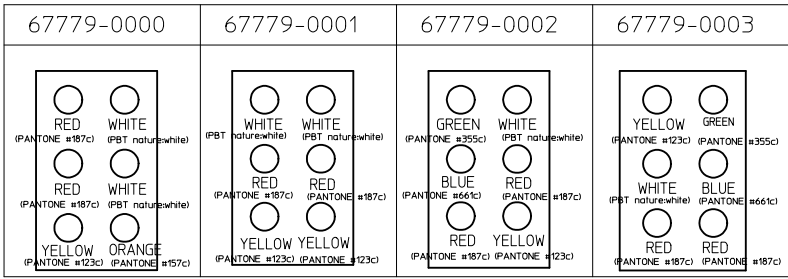
RECOMMENDED PCB LAYOUT



TERMINAL NO.  
CIRCUIT

RELEASE EC NO: SH2009-0455 DRWN:FYANG05 CHKD: APPR:HWANG	2008/12/24 2008/12/24 2009/01/07	DESCRIPTION	QUALITY SYMBOLS	GENERAL TOLERANCES (UNLESS SPECIFIED)	DIMENSION STYLE	SCALE	DESIGN UNITS	THIRD ANGLE PROJECTION												
			$\nabla=0$ $\square=0$	<table border="1"> <tr> <th></th> <th>mm</th> <th>INCH</th> </tr> <tr> <td>4 PLACES</td> <td>± ---</td> <td>± ---</td> </tr> <tr> <td>3 PLACES</td> <td>± ---</td> <td>± ---</td> </tr> <tr> <td>2 PLACES</td> <td>± 0.25</td> <td>± ---</td> </tr> <tr> <td>1 PLACE</td> <td>± 0.25</td> <td>± ---</td> </tr> </table>		mm	INCH	4 PLACES	± ---	± ---	3 PLACES	± ---	± ---	2 PLACES	± 0.25	± ---	1 PLACE	± 0.25	± ---	MM ONLY
	mm	INCH																		
4 PLACES	± ---	± ---																		
3 PLACES	± ---	± ---																		
2 PLACES	± 0.25	± ---																		
1 PLACE	± 0.25	± ---																		
D				ANGULAR ± 3 °	DRAWN BY: IVY LIN CHECKED BY: ALLEN LIN APPROVED BY: ERICK LAN MATERIAL NO.	DATE: 2006/07/13 DATE: 2006/07/14 DATE: 2006/07/14	TITLE: DUAL ROW SIDE BY SIDE AV RCA JACK CONNECTOR (LEAD FREE VERSION) MOLEX INCORPORATED	SHEET NO. 1 OF 2												
				DRAFT WHERE APPLICABLE MUST REMAIN WITHIN DIMENSIONS	SEE SHEET 2		DOCUMENT NO. SD-67779-101													
					SIZE: A3	THIS DRAWING CONTAINS INFORMATION THAT IS PROPRIETARY TO MOLEX INCORPORATED AND SHOULD NOT BE USED WITHOUT WRITTEN PERMISSION														

COLOR AND SV POSITION (FRONT VIEW)



P/N	COVER PLATING
67779-0000	NICKEL PLATED,50 MICROINCH MIN.
67779-0001	GOLD FLASH
67779-0002	NICKEL PLATED,50 MICROINCH MIN.
67779-0003	NICKEL PLATED,50 MICROINCH MIN.

LTR	PART NAME	QTY	MATERIAL	PLATED	UL94	COLOR
1	TERMINAL A	2	0.4mm THK, SPCC	TIN PLATED: THICKNESS=100~120 MICROINCH MIN. UNDER PLATED: NICKEL(Ni)=THICKNESS=50 MICROINCH MIN.		
2	TERMINAL B	2				
3	TERMINAL C	2				
4	CONTACT A	2				
5	CONTACT B	2				
6	CONTACT C	2				
7	HOUSING	1	ABS RESIN		94V-0	BLACK
8	COVER	6	0.4mm THK, SPCC	SEE TABLE		
9	FRONT SHELL	1	0.2mm THK,SUS 304			
10	BACK SHELL	1	0.2mm THK, BRASS	TIN PLATED:THICKNESS=100~120 MICROINCH MIN. UNDER PLATED:NICKEL(Ni),THICKNESS=50 MICROINCH MIN.		
11~16	WASHER		PBT GLASS FIBER		94V-0	SEE TABLE

- NOTES:  
 1.RECOMMENDED THICKNESS OF P.C.B: 1.60±0.05mm.  
 2.PRODUCT SPECIFICATION:REFER TO PS-67779-001.  
 3.PACKAGING SPECIFICATION:REFER TO PK-67779-001.  
 4.TEST SUMMARY REFER TO:TS-67779-001.  
 5.LEAD FREE AND ROHS COMPLIANT PRODUCT.  
 6.WEEK CODE:xxxxx



<b>RELEASE</b> EC NO: SH2009-0455 DRW: F YANG05 CH: KD APPR: HWANG 2008/12/24 2008/12/24 2009/01/07	QUALITY SYMBOLS ▽=0 ▽=0	GENERAL TOLERANCES (UNLESS SPECIFIED)		DIMENSION STYLE <b>MM ONLY</b>		SCALE <b>1:1</b>	DESIGN UNITS <b>METRIC</b>	THIRD ANGLE PROJECTION	
		4 PLACES ± --- ± ---	3 PLACES ± --- ± ---	DRAWN BY IVY LIN	DATE 2006/07/13	TITLE <b>DUAL ROW SIDE BY SIDE AV RCA JACK CONNECTOR (LEAD FREE VERSION)</b>			
		2 PLACES ± 0.25 ± ---	1 PLACE ± 0.25 ± ---	CHECKED BY ALLEN LIN	DATE 2006/07/14	MOLEX INCORPORATED			
		ANGULAR ± 3 °		APPROVED BY ERICK LAN	DATE 2006/07/14	MATERIAL NO. <b>SEE TABLE</b>	DOCUMENT NO. <b>SD-67779-101</b>	SHEET NO. <b>2 OF 2</b>	
DRAFT WHERE APPLICABLE MUST REMAIN WITHIN DIMENSIONS		SIZE <b>A3</b>		THIS DRAWING CONTAINS INFORMATION THAT IS PROPRIETARY TO MOLEX INCORPORATED AND SHOULD NOT BE USED WITHOUT WRITTEN PERMISSION					